





*molly  
moons*

4556 California Ave SW,, Seattle, WA 98116



**NATIONAL SIGN**  
CORPORATION

Colors	Light Blue 	Orange 	Black 	White 
<b>PMS</b>	304 C	7597 C	Verify	N/A
<b>Translucent Vinyl</b>	N/A	N/A	N/A	N/A
<b>Paint</b>	N/A	N/A	Verify building color	MP 27386





**1 Existing Conditions**  
Scale: NTS



**2 West Elevation**  
Scale: 1/4"=1'-0"

**SIGN 1a**

**SIGN 2a**





**1 Existing Conditions**  
Scale: NTS



**2 South Elevation**  
Scale: 1/4"=1'-0"

**SIGN 1b**

**SIGN 2b**





**1 Front View**  
Scale: 1"=1'-0"

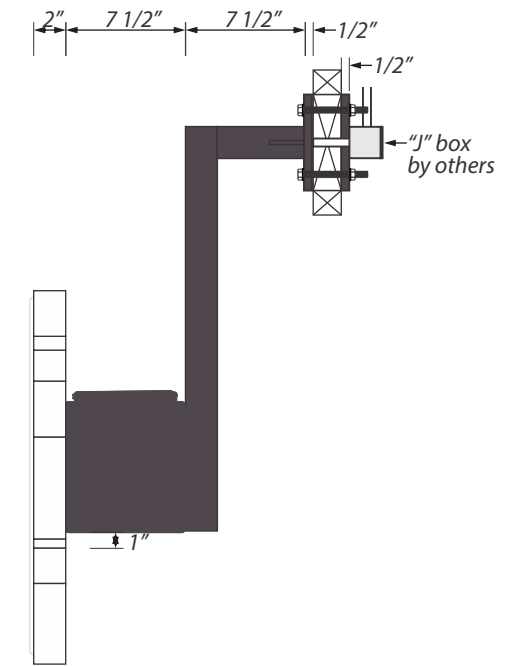
Square Footage: 17.41 sq. ft.

**Sign 1a & 1b:**

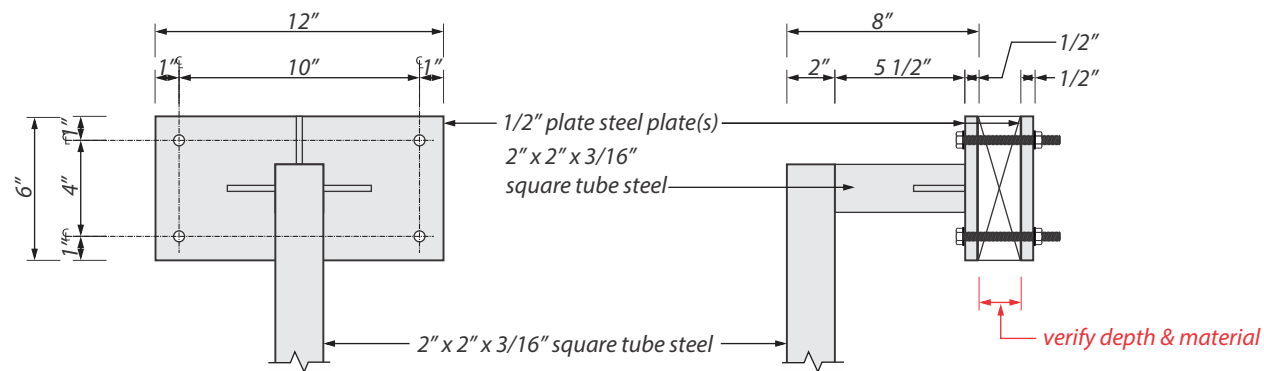
Manufacture and Install (2) Exterior Single faced illuminated open pan channel exposed neon lettering hanging signs.

- A** "molly moon's" letters to be aluminum open pan channel letter construction. Returns: 2" aluminum returns outside painted White (satin finish). Interior pans painted Light Blue to match PMS#304c (satin finish).
- B** Illumination to be 1/tube neon- Blue E40 (argon)= Light Blue, 12mm, 30ma. 2" glass stands.
- C** Mount letters to raceway. Raceway to be SignComp. Attach raceway to (2) 2" x 2" steel square tube brackets and 1/2" flat plate steel with backing plates (see detail right and below). Secured with (8) 3/8" HSS rated bolts Raceway, Brackets and hardware painted to match wall color Dark Brown (satin finish).
- D** Power to sign by others. 120 volt, 20amp circuit req.

*Internally illuminated signs shall comply with NEC article 600 and the Seattle energy code section c405 before supplying power to the sign or electrical installation.*

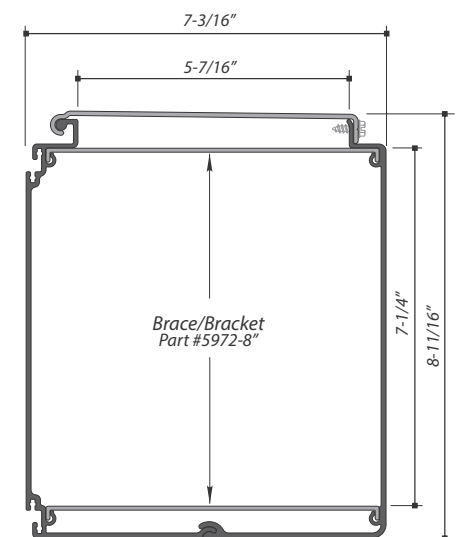


**2 Side View**  
Scale: 1"=1'-0"



**3 Front View- Attachment Detail**  
Scale: 1 1/2"=1'-0"

**4 Side View- Attachment Detail**  
Scale: 1 1/2"=1'-0"



8" Channel Letter Raceway  
1981 Front / 1982 Back / 1986 Cover



**1 Front View**

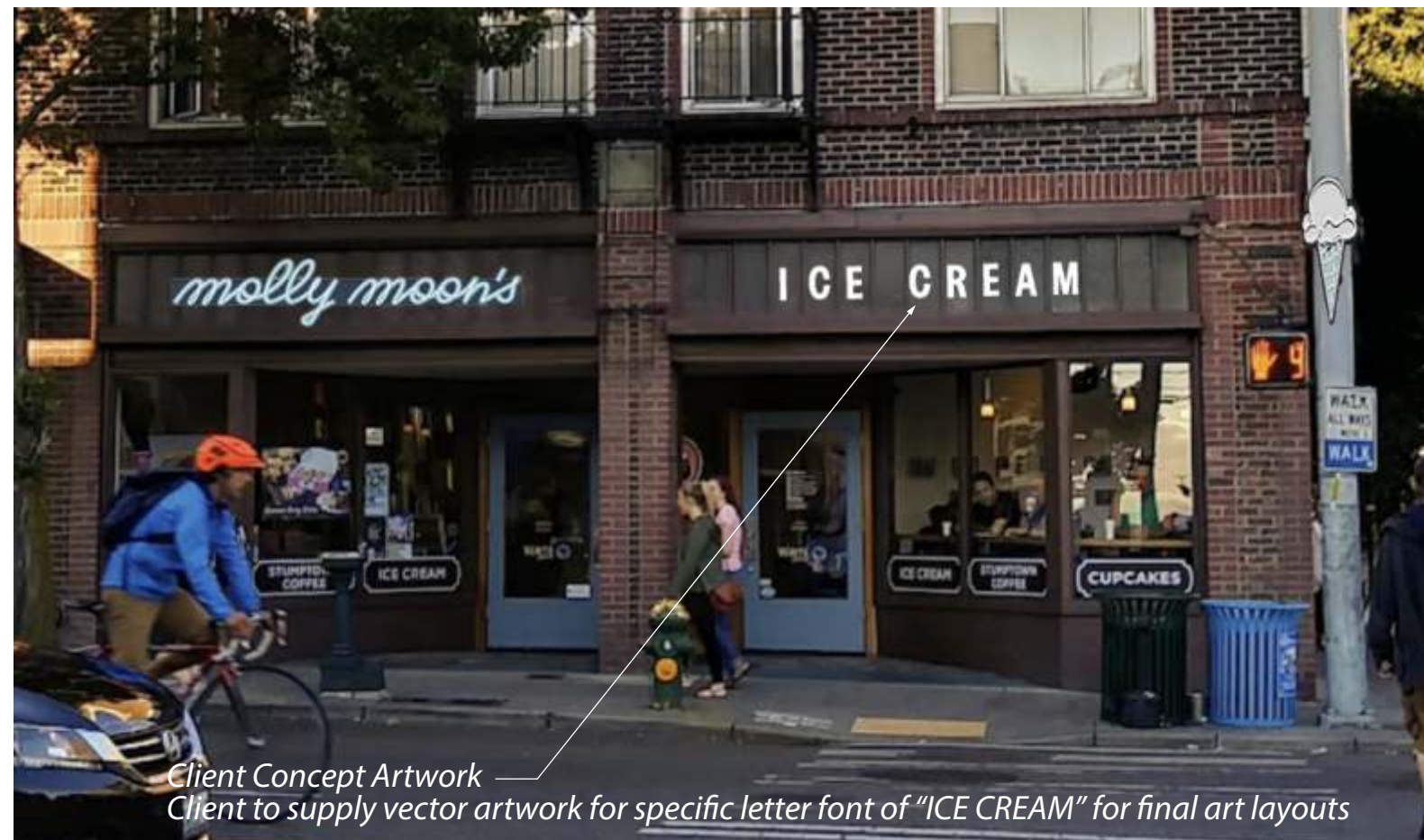
Scale: 1"=1'-0"

**Sign 2a & 2b:**

Field Paint (2) Exterior Single faced non-illuminated painted lettering signs.

- A "ICE CREAM" copy to be field painted first surface to window panes with white paint.

Center individual letters within each window pane.



Client Concept Artwork  
Client to supply vector artwork for specific letter font of "ICE CREAM" for final art layouts

**JOB INFORMATION:**

**Molly Moon's**  
4556 California Ave SW,  
Seattle, WA 98116

**REPRESENTATIVE:**

James Zimmermann

**DESIGNER:**

Mark Mahan

**DATE:**

04/30/25

**DESIGN NUMBER:**

25-01382 V4

**SCALE:**

As Noted

**JOB NUMBER:**

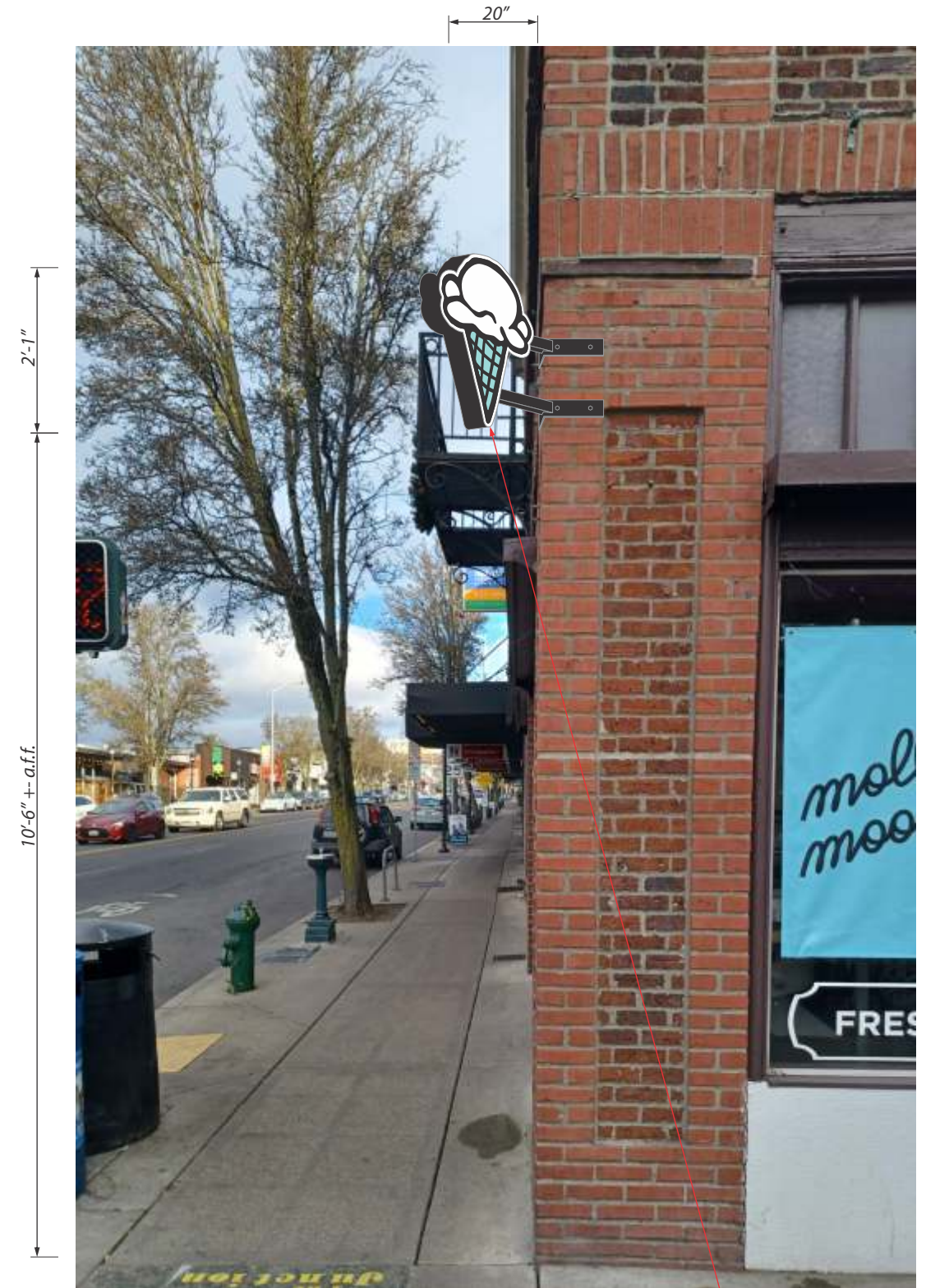
XX





**1 Conceptual Sketch**  
Scale: NTS

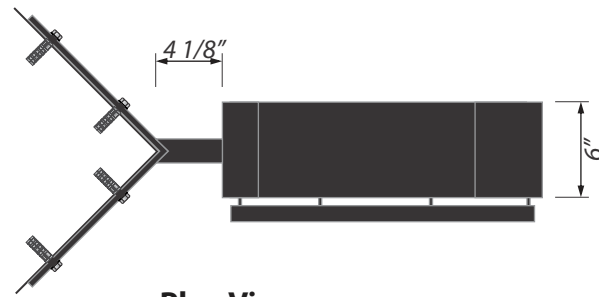
**SIGN  
03**



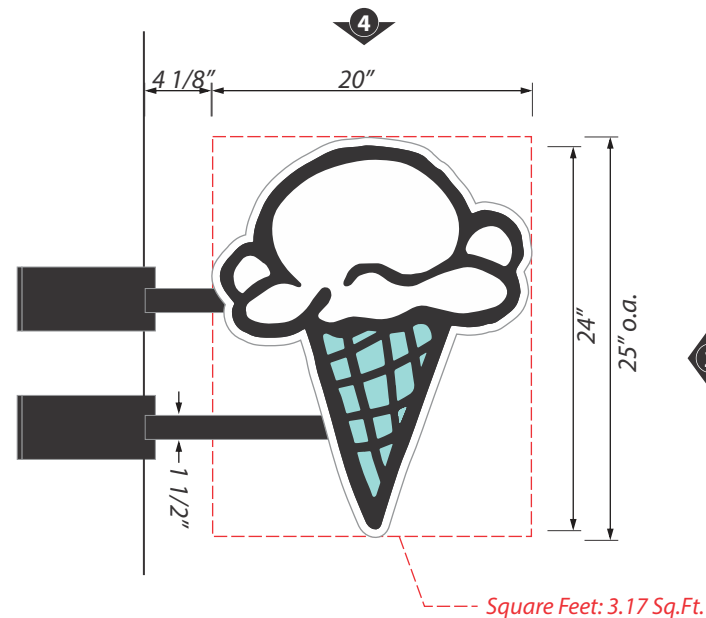
**2 South Elevation**  
Scale: 1/2"=1'-0"

**SIGN  
03**

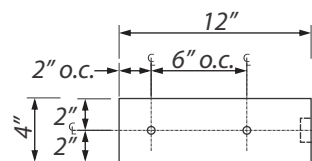




**4 Plan View**  
Scale: 1"=1'-0"



**1 Front View- Side A**  
Scale: 1"=1'-0"



**5 Plate Detail**  
Scale: 1"=1'-0"

**Sign 3:**

Manufacture and Install (1) Exterior single faced Halo illuminated reverse pan channel projecting sign.

Note: Existing sign is located at NSC.

Scope of work: Modify and fabricate a new mounting bracket to mount to the SW corner of building and add vinyl graphics to sign back.

- A** Existing Ice Cream cone to be an .080" aluminum fabricated shaped cabinet. Cabinet to be painted Black with white cabinet face (satin finish). Cone area on cabinet face to be painted Light Blue to match PMS #324c (satin finish).
- B** Existing Ice Cream scoop to be .080" aluminum fabricated reverse pan channel construction painted Black (satin finish). Waffle to be routed out of face, open to cabinet face, with halo channel around outside perimeter. Letter back to be .150" polycarbonate- clear with diffuser. Halo illumination to be LED's- White 6500k.

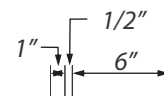
- C** Existing Power supplies to be contained within cabinet.

- D** Power to sign by others.

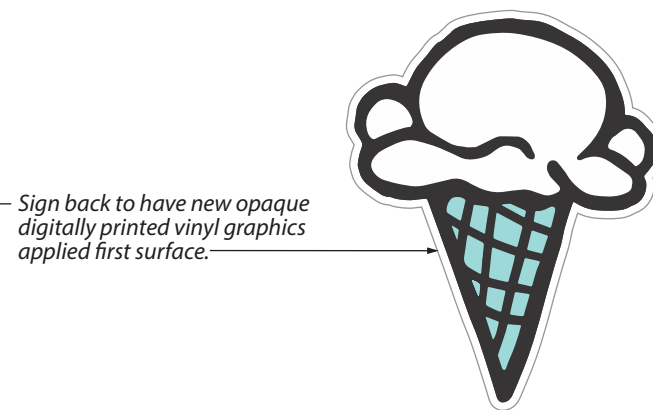
New modifications:

- D** Attach to corner of brick wall with (8) 3/8" anchor bolts and lag shields (long) 2 1/2" embed into brick wall grout lines (verify spacing with a detailed field survey), thru fabricated 1/4" flat plate "V" at corner wall. Arms to be 1 1/2" x 1 1/2" square tube aluminum. Paint all Black (satin finish).

- D** Sign back to have new opaque digitally printed vinyl graphics with matte UV laminate applied first surface.



**2 End View**  
Scale: 1"=1'-0"

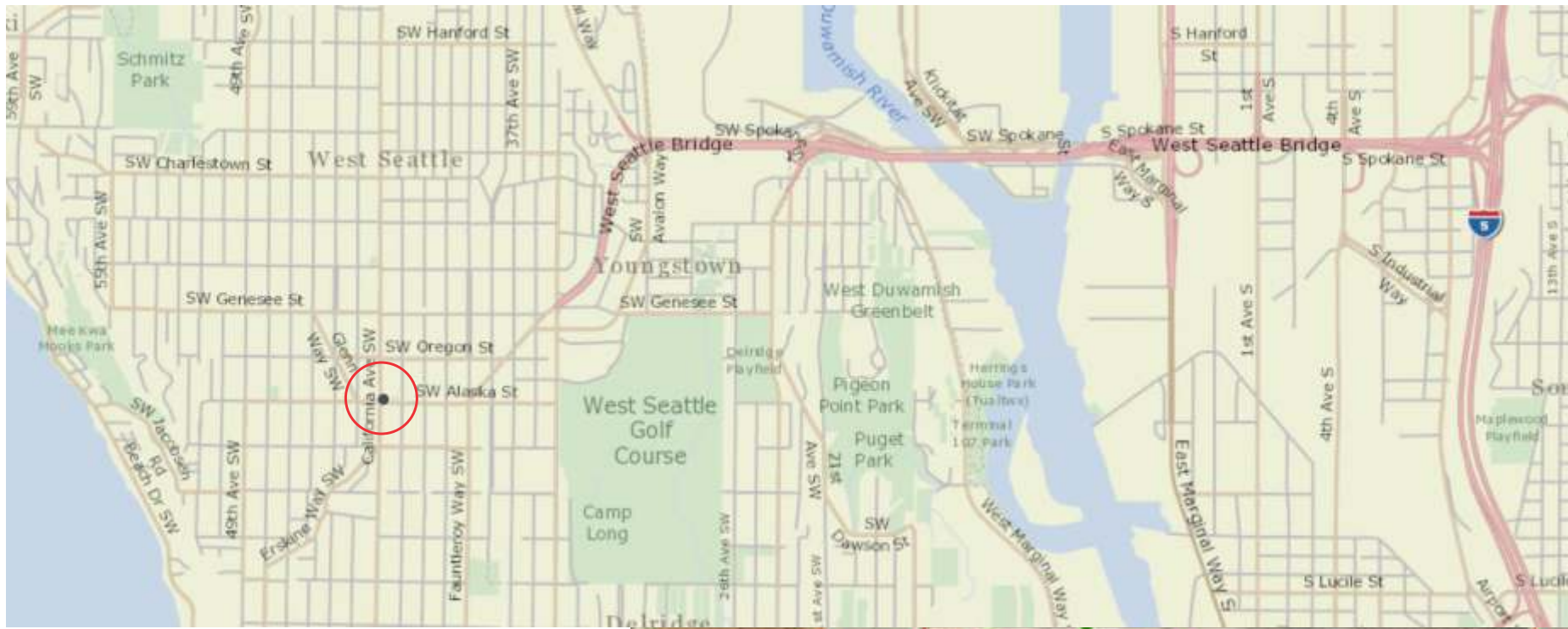


**3 Front View- Side B**  
Scale: 1"=1'-0"



**Night View- Side A**  
Scale: NTS





**1 Vicinity Map**  
Scale: NTS



**2 Aerial View**  
Scale: NTS

**SIGN 1a**

**SIGN 2a**

**SIGN 03**

**SIGN 1b**

**SIGN 2b**





